

**V-INFINITY**
a division of CUI INC

date 09/2010

page 1 of 8

SERIES: 40 W DESKTOP

DESCRIPTION: SWITCHING POWER SUPPLY

FEATURES

- universal AC input
- regulated output voltage
- short circuit, over load protection
- LED indicator for power on
- meets EISA / efficiency level IV regulations
- custom designs available



MODEL	output voltage		output current		output wattage	ripple*	efficiency level	cord length (mm)
	nominal (V dc)		min (A)	max (A)	max (W)	max. (mVp-p)		
ETS090400U	9		0	4	36	150	IV	1000 +150/-0
ETS120416U	12		0	4.16	49.9	120	IV	1530 +150/-0
ETS150270U	15		0	2.7	40.5	150	IV	1500 +150/-0
ETS240170U	24		0	1.7	40.8	150	IV	1830 +150/-0

*at full load, 100 ~ 240 V ac input, measured at 20MHz bandwidth with a 10 uF electrolytic cap and a 0.1 uF ceramic cap on the output

PART NUMBER KEY**ETS120416U T C - PXXXX - SZ - CXX**Base Number
example of 12 V dc, 4.16 AAC Input Plug:
blank = IEC 320 C14 plug
T = IEC 320 C6 plugInput Cable:
C = included
blank = no cableDC Plug type:
see output plug options
on page 5Factory
DesignationReserved for custom
configurations



SERIES: 40 W DESKTOP

DESCRIPTION: SWITCHING POWER SUPPLY

INPUT

parameter	conditions/description	min	nom	max	units
rated input voltage		100		240	V ac
input voltage range		90		255	V ac
rated frequency		50		60	Hz
frequency range		47		63	Hz
rated input current				1.2	A
inrush current	115 V ac, full load, cold start, 25°C 230 V ac, full load, cold start, 25°C			50 100	A A
no load power consumption	100 ~ 240 V ac input			0.5	W

OUTPUT

parameter	conditions/description	min	nom	max	units
line regulation			±1		%
load regulation			±5		%
over voltage protection	output shut down	110%		150%	V dc
short circuit protection	output shut down and auto-restart				

SAFETY & EMI

parameter	conditions/description	min	nom	max	units
HI-POT	input to output at 10 mA for 1 second			1500 3000	V ac V ac
insulation resistance	input to output at 500 V dc	100			MΩ
safety approvals	UL/cUL, CB (IEC60950-1), CE (GS/TUV EN60950-1)				
EMI standard	FCC part 15 class B, CE (EN55022, EN55024)				
leakage current				3.5	mA
RoHS compliant	yes				

ENVIRONMENTAL

parameter	conditions/description	min	nom	max	units
operating temperature		0		40	°C
operating humidity		20		80	%
storage temperature		-10		70	°C
storage humidity		10		90	%



V-INFINITY
a division of CUI INC

date 09/2010

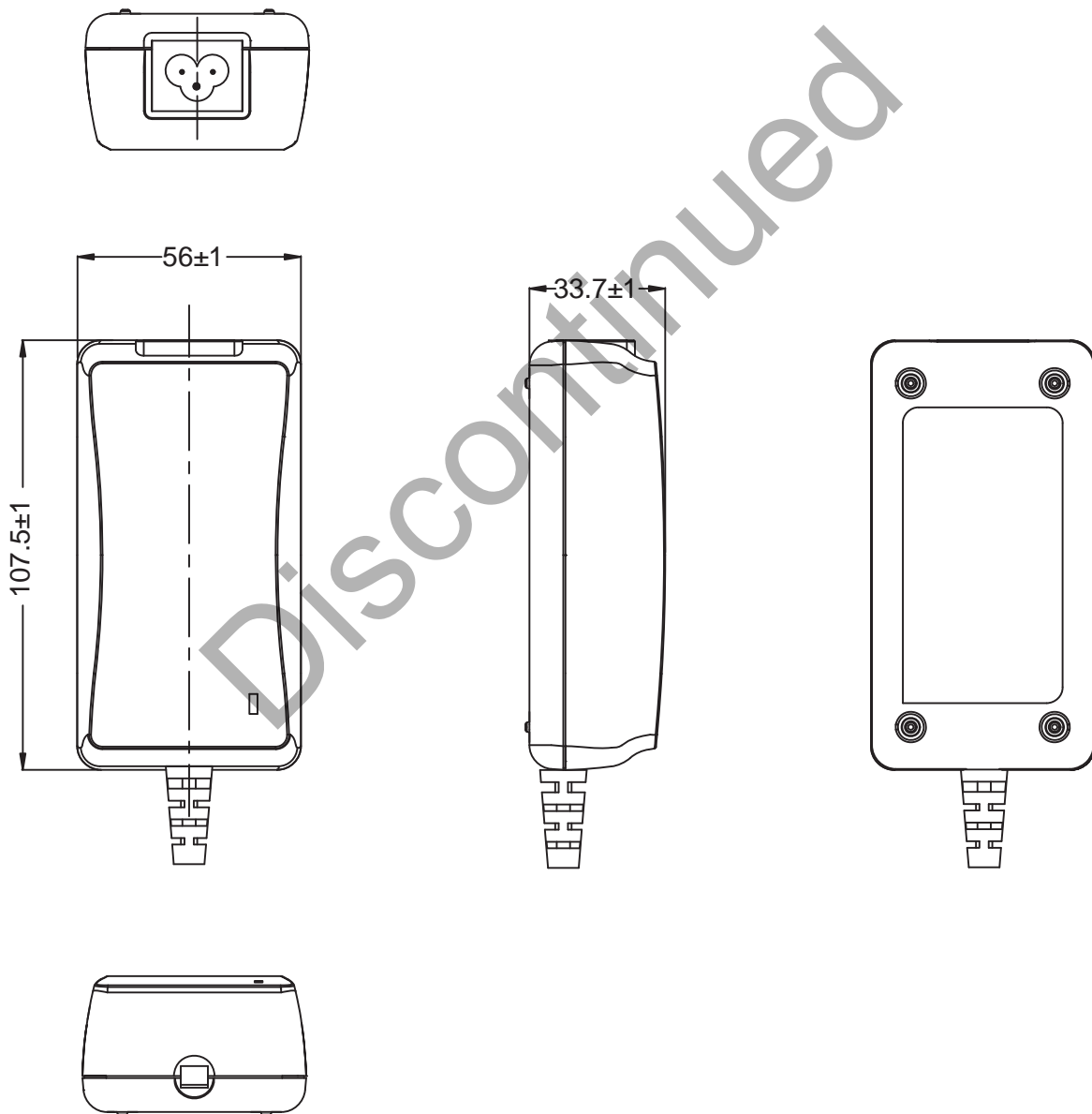
page 3 of 8

SERIES: 40 W DESKTOP

DESCRIPTION: SWITCHING POWER SUPPLY

MECHANICAL DRAWING (9, 15, 24 V models)

case size	107.5 L x 56 W x 33.7 H mm
	tolerance: ± 1 mm



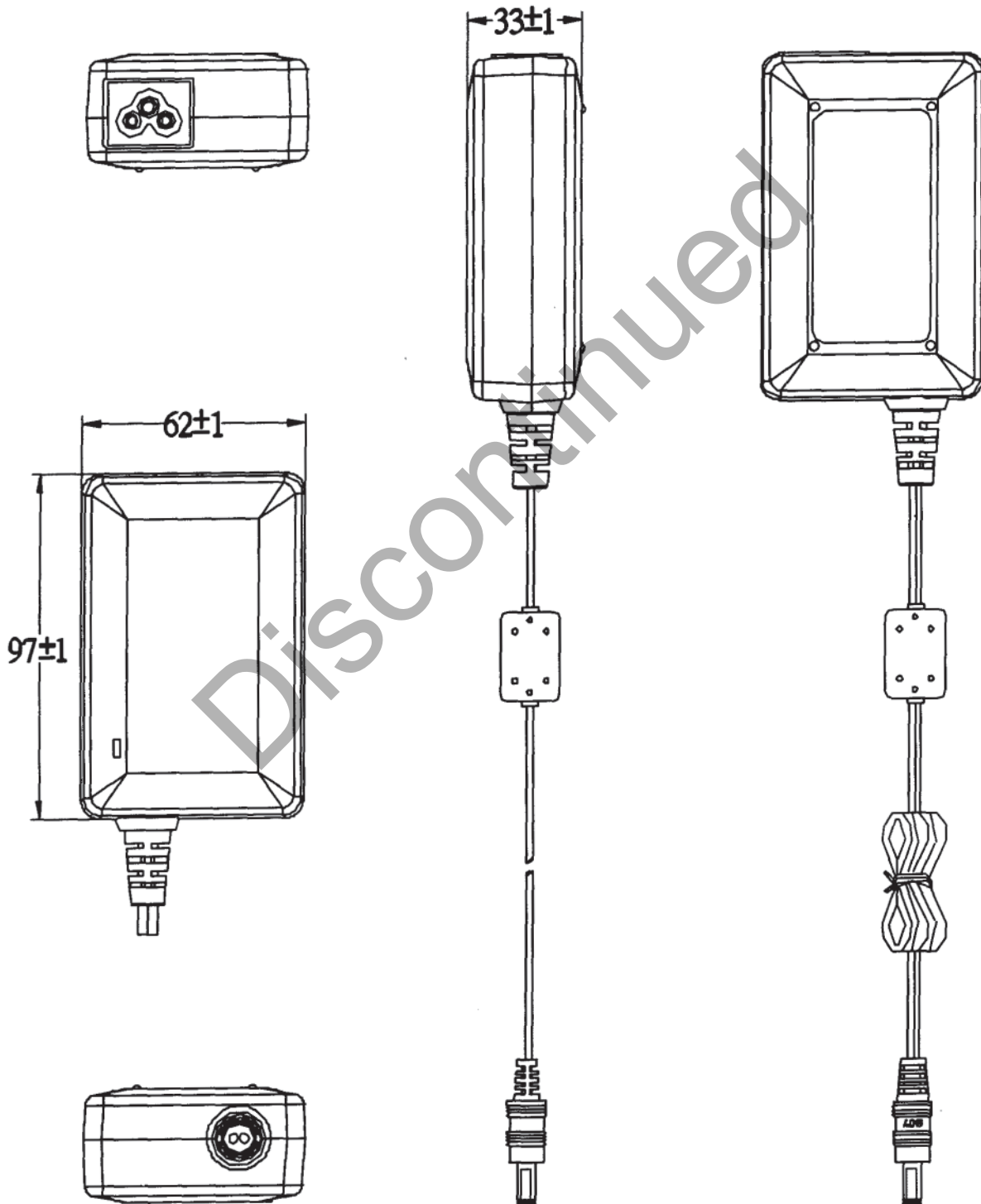


SERIES: 40 W DESKTOP

DESCRIPTION: SWITCHING POWER SUPPLY

MECHANICAL DRAWING (12 V model)

case size 97 L x 62 W x 33 H mm
tolerance: ± 1 mm

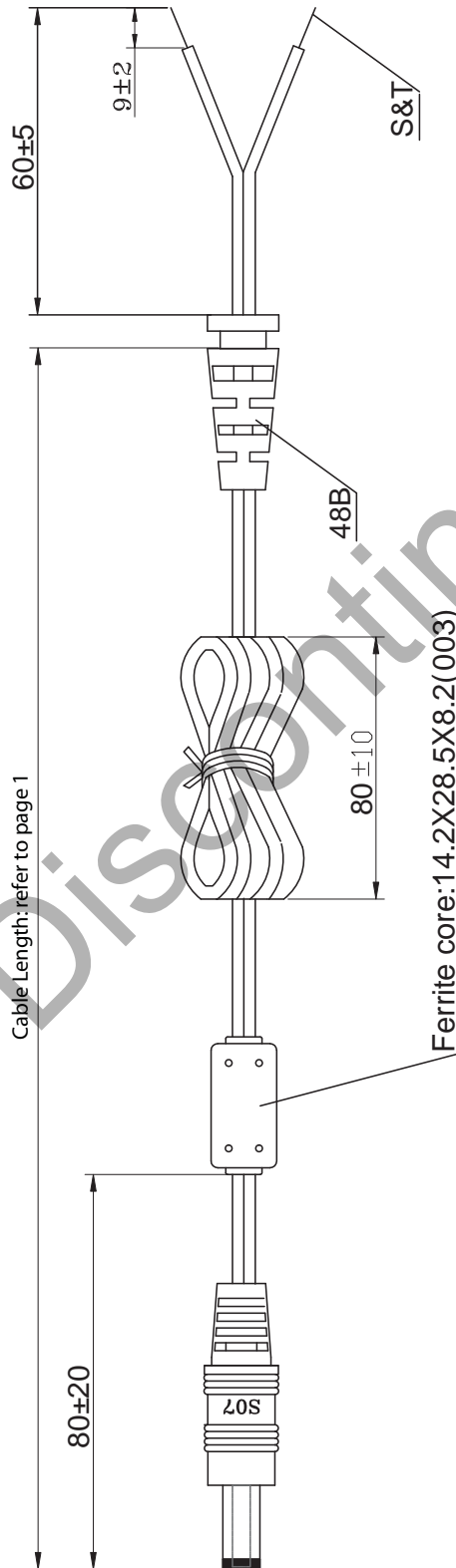




SERIES: 40 W DESKTOP

DESCRIPTION: SWITCHING POWER SUPPLY

DC CORD



Black wire, white stripe: Positive

Cable Gauge	
ETS090400	18 AWG
ETS120416	18 AWG
ETS150270	18 AWG
ETS240170	18 AWG

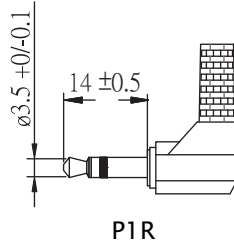
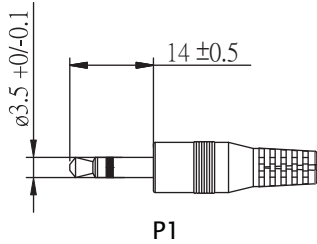


SERIES: 40 W DESKTOP

DESCRIPTION: SWITCHING POWER SUPPLY

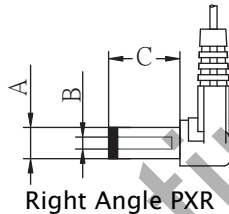
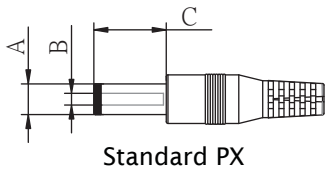
OUTPUT PLUG OPTIONS

3.5 mm Phono Plug



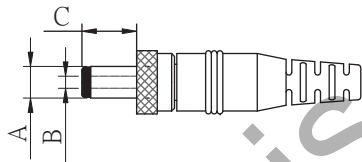
*Tip positive

Standard DC Plug



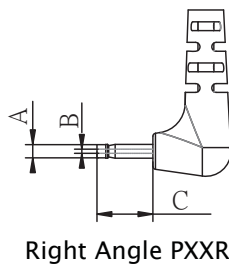
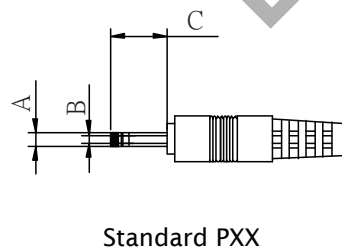
	A	B	CU	nit
P5/P5R	5.5	2.1	9.5	mm
P6/P6R	5.5	2.5	9.5	mm
P7/P7R	3.5	1.3	9.5	mm
P8/P8R	3.8	1.35	9.5	mm
P9/P9R	3.8	1.05	9.5	mm

Locking DC Plug

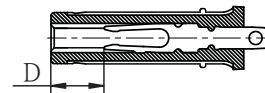


	A	B	CU	nit
P10	5.5	2.1	9.5	mm
P11	5.5	2.5	9.5	mm

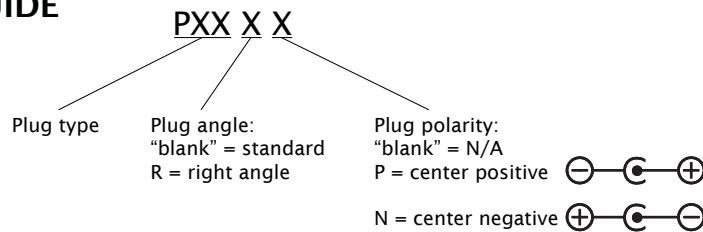
EIAJ Plugs



	EIAJ	A	B	C	DU	nit
P12/P12R	EIAJ-1	2.35	0.7	9.5	NA	mm
P13/P13R	EIAJ-2	4.0	1.7	9.5	5.0	mm
P14/P14R	EIAJ-3	4.75	1.7	9.5	5.0	mm



PART NUMBER GUIDE



*Contact CUI for additional output plug options.



V-INFINITY
a division of CUI INC

date 09/2010
page 7 of 8

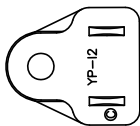
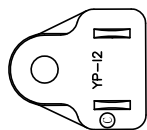
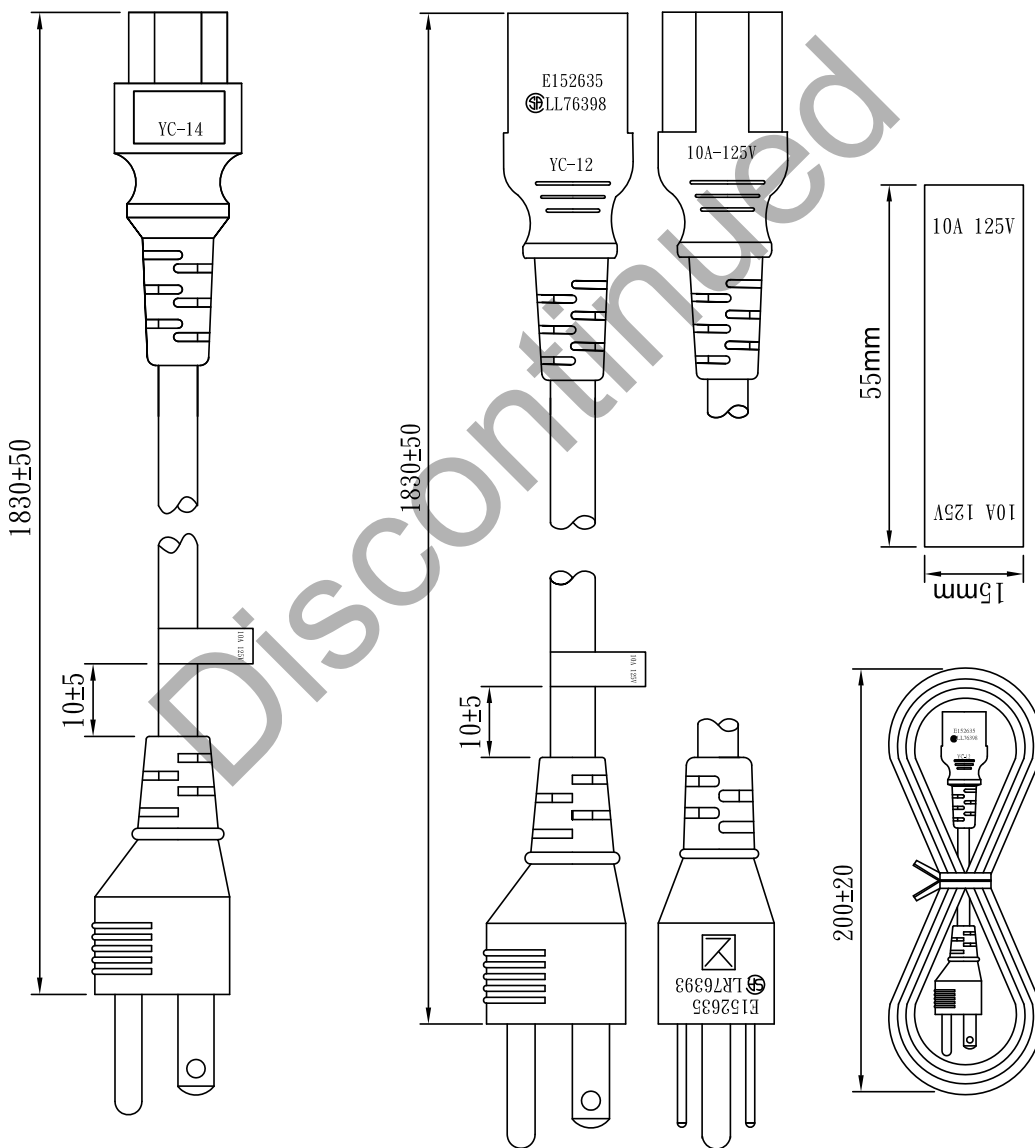
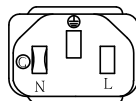
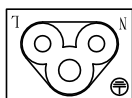
SERIES: 40 W DESKTOP

DESCRIPTION: SWITCHING POWER SUPPLY

AC CORD

C6

C14



*Contact CUI for additional ac cord input blade options.



V-INFINITY
a division of CUI INC

date 09/2010

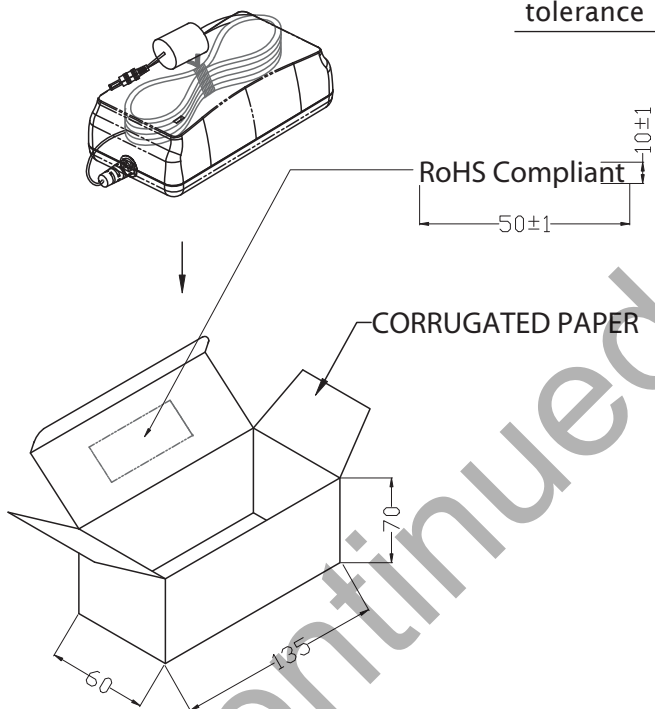
page 8 of 8

SERIES: 40 W DESKTOP

DESCRIPTION: SWITCHING POWER SUPPLY

INDIVIDUAL PACKAGING

tolerance ± 1 mm



PACKAGING

tolerance +7 / -0 mm

CARTON SIZE: 430X327X315mm

Q'TY: 60pcs(15x4)

