

Product Change Notice (PCN)

Date: 03/20/2020

PCN Number: PCN-65950001R-01

To Our Customers:

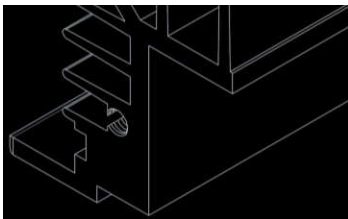
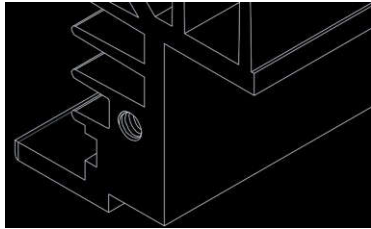
We appreciate your use of CUI products. Our commitment in maintaining and improving processes is demonstrated by plans to enhance our product quality, reliability and manufacturability. The purpose of this notice is to inform you of a product change.

Product(s) Affected: VHK50W, VHK75W, VHK100W, VHK150W, VHK200W

VHK50W-Q24-S12	VHK75W-Q24-S48	VHK100W-Q24-S12	VHK150W-Q24-S5	VHK200W-Q24-S12
VHK50W-Q24-S24	VHK75W-Q48-S48	VHK100W-Q24-S3R3	VHK150W-Q24-S12	VHK200W-Q24-S15
VHK50W-Q24-S48	VHK75W-Q48-S12	VHK100W-Q24-S5	VHK150W-Q24-S15	VHK200W-Q24-S24
VHK50W-Q24-S15	VHK75W-Q24-S12	VHK100W-Q24-S15	VHK150W-Q24-S24	VHK200W-Q48-S12
VHK50W-Q24-S3R3	VHK75W-Q24-S24	VHK100W-Q24-S24	VHK150W-Q48-S5	VHK200W-Q48-S15
VHK50W-Q24-S5	VHK75W-Q24-S3R3	VHK100W-Q48-S3R3	VHK150W-Q48-S12	VHK200W-Q48-S24
VHK50W-Q48-S3R3	VHK75W-Q24-S5	VHK100W-Q48-S5	VHK150W-Q48-S15	VHK200W-Q48-S48
VHK50W-Q48-S5	VHK75W-Q24-S15	VHK100W-Q48-S12	VHK150W-Q48-S24	VHK200W-Q48-S5
VHK50W-Q48-S12	VHK75W-Q48-S3R3	VHK100W-Q48-S15	VHK150W-Q24-S28	VHK200W-Q24-S48
VHK50W-Q48-S15	VHK75W-Q48-S5	VHK100W-Q48-S24	VHK150W-Q24-S48	VHK200W-Q24-S28
VHK50W-Q48-S24	VHK75W-Q48-S15	VHK100W-Q24-S48	VHK150W-Q48-S48	VHK200W-Q48-S28
VHK50W-Q48-S48	VHK75W-Q48-S24	VHK100W-Q48-S48		
VHK50W-Q48-S28	VHK75W-Q48-S24N	VHK100W-Q48-S28		
VHK50W-Q24-S28		VHK100W-Q24-S28		
VHK50W-Q48-S24N				

Reason(s) for Change: Improved screw hole yield rate.

Description of Change: Minor dimensional changes, screw hole enclosing as shown below.

Description of Change:	
Old Version	New Version
Screw Hold 6.0mm deep 	Screw Hold 6.0mm deep 



20050 SW 112th Ave. Tualatin, Oregon 97062
phone: 800.275.4899 fax: 503.612.2383
www.cui.com

Affected Date Code: 03-31-2020

Product Availability: Currently available

Additional Information: No change to fit or function

PCN Approval:

Operations/Quality

A handwritten signature in black ink, appearing to read "Sam Wood".

Product Marketing

A handwritten signature in black ink, appearing to be a stylized name.