

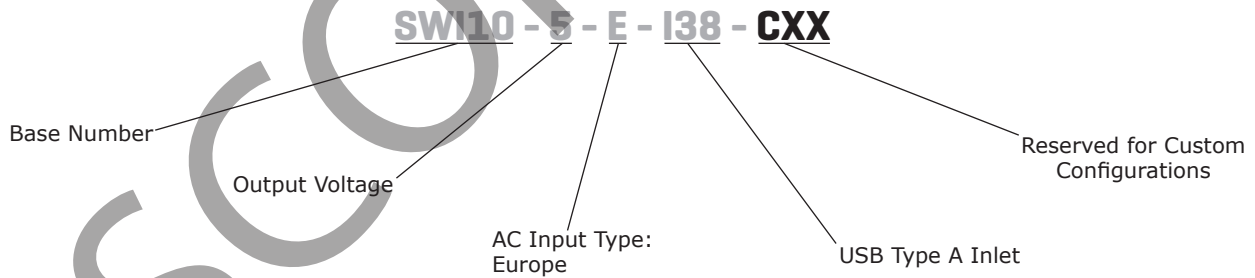
**SERIES:** SWI10-E-USB | **DESCRIPTION:** AC-DC POWER SUPPLY
**FEATURES**

- up to 10 W continuous power
- DoE Level VI, CoC Tier 2 efficiency
- universal input voltage range
- ultra-compact case
- no load power consumption < 0.075 W
- integrated USB connector
- over current, over voltage, and short circuit protections

**MODEL**

| <b>MODEL</b>  | <b>output voltage</b><br>(Vdc) | <b>output current max</b><br>(A) | <b>output power max</b><br>(W) | <b>ripple and noise<sup>1</sup> max</b><br>(mVp-p) | <b>efficiency level<sup>2</sup></b> |
|---------------|--------------------------------|----------------------------------|--------------------------------|--|-------------------------------------|
| SWI10-5-E-I38 | 5                              | 2                                | 10                             | 300  | VI                                  |

Notes: 1. At full load, 25°C, nominal input, 20 MHz bandwidth oscilloscope, output parallel with 0.1  $\mu$ F and 10  $\mu$ F capacitors to ground.  
 2. CoC Tier 2 complaint

**PART NUMBER KEY**

**INPUT**

| parameter                 | conditions/description                             | min | typ | max            | units  |
|---------------------------|--|-----|-----|----------------|--------|
| voltage                   |  | 90  |     | 264            | Vac    |
| frequency                 |  | 47  |     | 63             | Hz     |
| current                   | at nominal input voltage                           |     |     | 0.3            | A      |
| leakage current           | at nominal input voltage & frequency               |     |     | 0.25           | mA     |
| no load power consumption | at 115/230 Vac, 60/50 Hz<br>Level VI<br>CoC Tier 2 |     |     | 0.075<br>0.075 | W<br>W |

**OUTPUT**

| parameter       | conditions/description              | min | typ | max | units |
|-----------------|-------------------------------------|-----|-----|-----|-------|
| load regulation |                                     |     | ±5  |     | %     |
| start-up time   |                                     |     |     | 3   | s     |
| hold-up time    | at nominal input voltage, full load | 5   |     |     | ms    |

**PROTECTIONS**

| parameter                | conditions/description          | min | typ | max | units |
|--------------------------|---------------------------------|-----|-----|-----|-------|
| over voltage protection  | with zener clamp                |     |     | 10  | Vdc   |
| over current protection  | output shut down, auto recovery |     |     | 4   | A     |
| short circuit protection |                                 |     |     |     |       |

**SAFETY & COMPLIANCE**

| parameter         | conditions/description  | min    | typ            | max | units      |
|-------------------|---|--------|----------------|-----|------------|
| isolation voltage | input to output at 10 mA for 1 minute                               |        | 3,000<br>4,242 |     | Vac<br>Vdc |
| MTBF              | as per Telcordia SR-332, Issue 2, at 115/230 Vac, full load, 0~40°C | 50,000 |                |     | hours      |
| RoHS              | 2011/65/EU  |        |                |     |            |

**ENVIRONMENTAL**

| parameter             | conditions/description | min | typ | max | units |
|-----------------------|------------------------|-----|-----|-----|-------|
| operating temperature |                        | 0   |     | 40  | °C    |
| storage temperature   |                        | -20 |     | 60  | °C    |
| operating humidity    | non-condensing         | 20  |     | 85  | %     |
| storage humidity      | non-condensing         | 5   |     | 95  | %     |

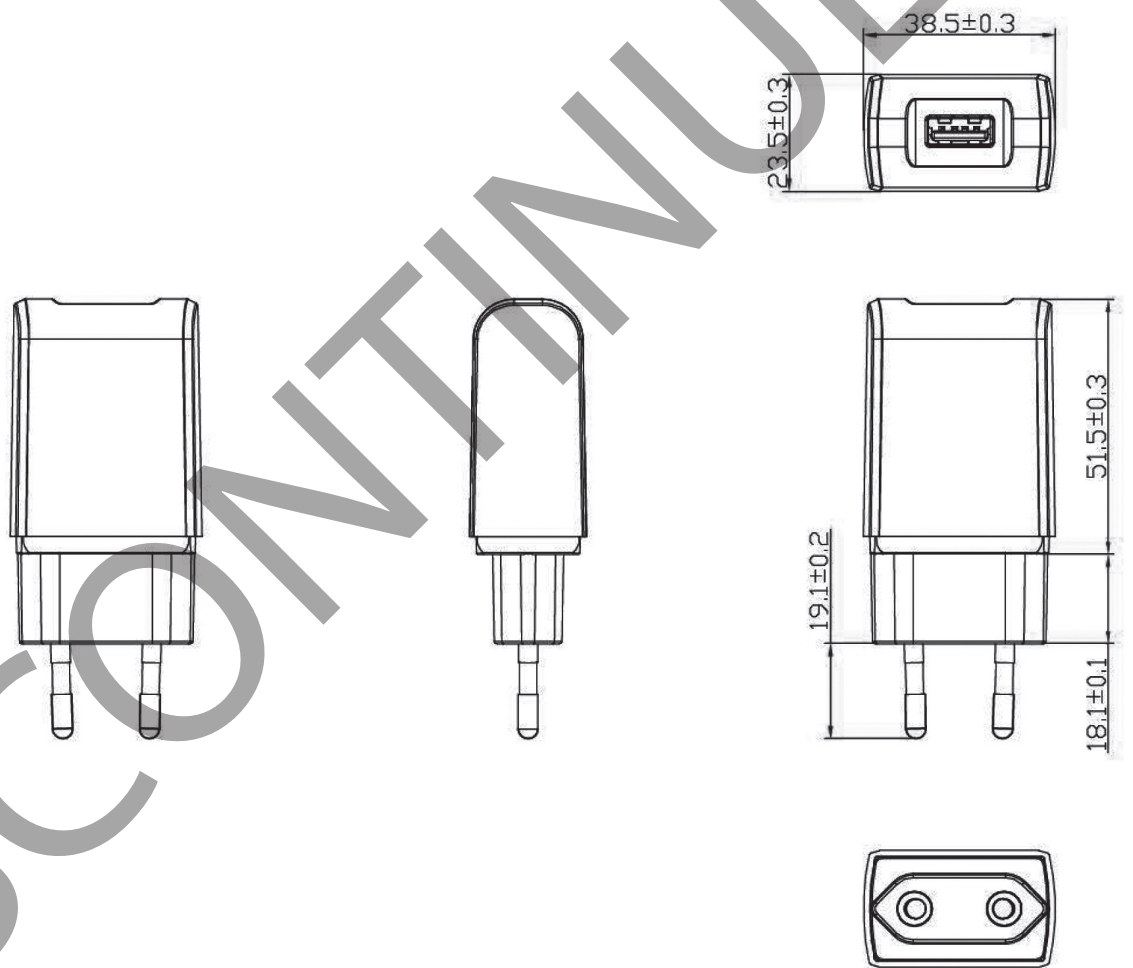
## MECHANICAL

| parameter  | conditions/description | min | typ | max | units |
|------------|------------------------|-----|-----|-----|-------|
| dimensions | 69.6 x 38.5 x 23.5     |     |     |     | mm    |
| inlet plug | Europe                 |     |     |     |       |
| weight     |                        |     | 46  |     | g     |

## MECHANICAL DRAWING

units: mm

| PIN | Output Voltage |
|-----|----------------|
| 1   | +5V            |
| 2   | Short          |
| 3   | Short          |
| 4   | GND            |

## REVISION HISTORY

| rev. | description          | date       |
|------|----------------------|------------|
| 1.0  | initial release      | 05/10/2016 |
| 1.01 | updated datasheet    | 09/16/2016 |
| 1.02 | company logo updated | 10/09/2020 |
| 1.03 | safeties updated     | 12/09/2020 |

The revision history provided is for informational purposes only and is believed to be accurate.



**CUI INC**

a bel group

**Headquarters**  
20050 SW 112th Ave.  
Tualatin, OR 97062  
**800.275.4899**

Fax 503.612.2383  
**cui.com**  
techsupport@cui.com

This device complies with part 15 of the FCC Rules. Operation is subject to the following two conditions:

- (1) This device may not cause harmful interference, and
- (2) this device must accept any interference received, including interference that may cause undesired operation.

CUI offers a one (1) year limited warranty. Complete warranty information is listed on our website.

CUI reserves the right to make changes to the product at any time without notice. Information provided by CUI is believed to be accurate and reliable. However, no responsibility is assumed by CUI for its use, nor for any infringements of patents or other rights of third parties which may result from its use.

CUI products are not authorized or warranted for use as critical components in equipment that requires an extremely high level of reliability. A critical component is any component of a life support device or system whose failure to perform can be reasonably expected to cause the failure of the life support device or system, or to affect its safety or effectiveness.