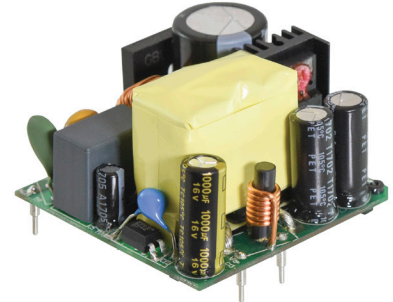


SERIES: VOF-S60B | **DESCRIPTION:** AC-DC POWER SUPPLY

FEATURES

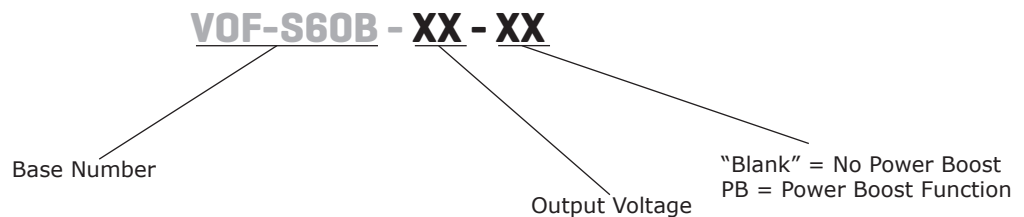
- universal input range (90 ~ 264 Vac)
- option to support large transient loads (2x rated current)³
- Class B emissions (EN55032/CISPR/FCC)
- certified to IEC/EN/UL 62368-1
- short circuit protection
- over voltage protection
- < 150 mW no-load power consumption
- Class II



MODEL	output voltage (Vdc)	output current		output power max (W)	ripple and noise ¹ max (mVp-p)	efficiency ² typ (%)
		min (A)	max (A)			
VOF-S60B-5	5	0	8.00	40	50	86
VOF-S60B-12	12	0	5.00	60	120	88
VOF-S60B-15	15	0	4.00	60	150	88
VOF-S60B-24	24	0	2.50	60	240	89
VOF-S60B-36	36	0	1.67	60	360	89
VOF-S60B-48	48	0	1.25	60	480	90

- Notes:
1. At full load, nominal input, 20 MHz bandwidth oscilloscope, with 0.1 μ F ceramic and 10 μ F electrolytic capacitors on the output. For model VOF-S60B-5, add a 0.1 μ F ceramic and 47 μ F electrolytic capacitors on the output.
 2. At 230 Vac, full load, 25°C.
 3. Parts with the "-PB" suffix can sustain 2 times the rated output load for 10 seconds (MAX) and 10% duty cycle (MAX). This functionality requires a 100 μ F / 400 V capacitor connected between pins BC+ and BC-. See Power Boost Section below for more details.

PART NUMBER KEY



INPUT

parameter	conditions/description	min	typ	max	units
voltage		90		264	Vac
		120		370	Vdc
frequency		47		63	Hz
current	at 100 Vac			1.5	A
	at 240 Vac			0.8	A
inrush current	at 240 Vac, cold start, 25°C			120	A
leakage current	at 264 Vac			0.25	mA

OUTPUT

parameter	conditions/description	min	typ	max	units
capacitive load	5 Vdc output models			8,000	μF
	12 Vdc output models			5,000	μF
	15 Vdc output models			4,000	μF
	24 Vdc output models			2,400	μF
	36 Vdc output models			1,680	μF
	48 Vdc output models			680	μF
initial set point accuracy	5 Vdc output models		±2		%
	all other models		±1		%
line regulation	measured at high line to low line at full load		±1		%
load regulation	10%~100% load		±1		%
start-up time	115 Vac		2		s
	230 Vac		1		s
hold-up time	at 115 Vac		10		ms
switching frequency			65		kHz
temperature coefficient			±0.05		%/°C

PROTECTIONS

parameter	conditions/description	min	typ	max	units
over voltage protection	TVS to clamp output voltage				
	5 Vdc output models		6.8		Vdc
	12 Vdc output models		15.0		Vdc
	15 Vdc output models		18.0		Vdc
	24 Vdc output models		30.0		Vdc
	36 Vdc output models		47.0		Vdc
	48 Vdc output models		56.0		Vdc
short circuit protection	hiccup, auto recovery				

SAFETY & COMPLIANCE

parameter	conditions/description	min	typ	max	units
isolation voltage	input to output for 1 minute	3,000			Vac
isolation resistance		100			MΩ
safety approvals	UL 62368-1, EN 62368-1, IEC 62368-1				
safety class	Class II				
conducted emissions	EN55032 2015, EN61000-6-3 2007+A1: 2011+AC: 2012, Class B, 47 CFR FCC Part 15 Subpart B (Class B)				
radiated emissions	EN55032 2015, EN61000-6-3 2007+A1: 2011+AC: 2012, Class B, 47 CFR FCC Part 15 Subpart B (Class B)				
harmonic current emissions	EN61000-3-2:2014				
voltage fluctuations & flicker	EN61000-3-3:2013				

SAFETY & COMPLIANCE (CONTINUED)

parameter	conditions/description	min	typ	max	units
ESD	IEC61000-4-2:2008, air ±8kV				
radiated immunity	IEC61000-4-3:2010				
EFT/burst	IEC61000-4-4:2012, ±0.5 kV, ±1 kV, ±2 kV,				
surge	IEC61000-4-5:2014, ±0.5 kV, ±1 kV				
conducted immunity	IEC61000-4-6:2013				
power frequency magnetic field	IEC61000-4-8:2009				
voltage dips & interruptions	IEC61000-4-11:2004, dip 30% 10 ms, dip 60% 100ms, dip >95% 5000 ms IEC61000-4-11:2004, >95% 5000 ms				
MTBF	as per MIL-STD-217F, at 115 Vac, 25°C, GB	300,000			hours
RoHS	yes				

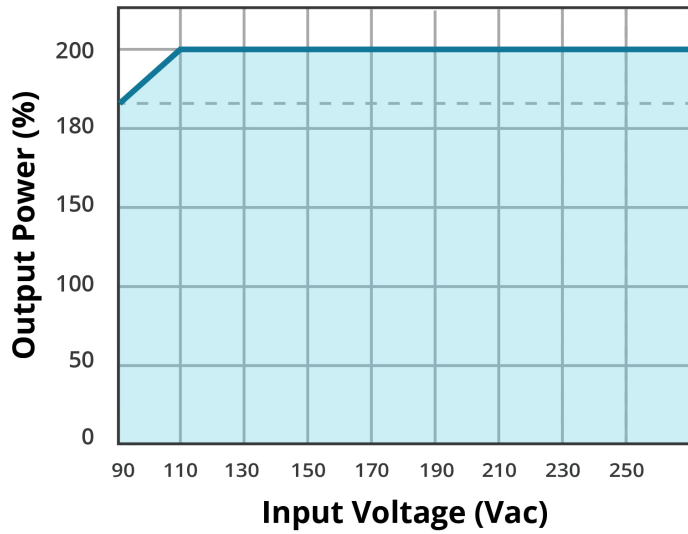
Notes: 4. The power supply is considered a component which will be installed into final equipment. The final equipment still must be tested to meet the necessary EMC directives.

ENVIRONMENTAL

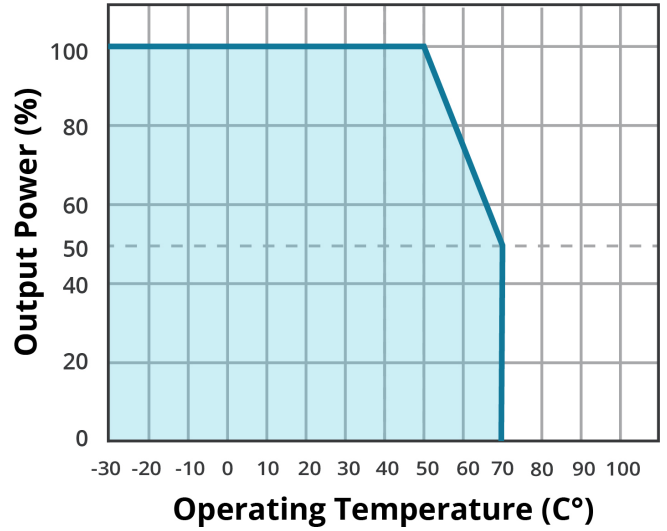
parameter	conditions/description	min	typ	max	units
operating temperature	see derating curves	-30		70	°C
storage temperature		-30		85	°C
operating humidity	non-condensing			93	%
altitude				5,000	m
vibration	as per MIL-STD-810F Table 514.5C-VIII; 15~2000 Hz for 1 hour on each axis for 3 hours		4		G
shock	as per MIL-STD-810F Table 516.5, Table 516.5-1; for 10 ms on each axis 3 times		75		G

DERATING CURVES

POWER BOOST DERATING CURVE



TEMPERATURE DERATING CURVE



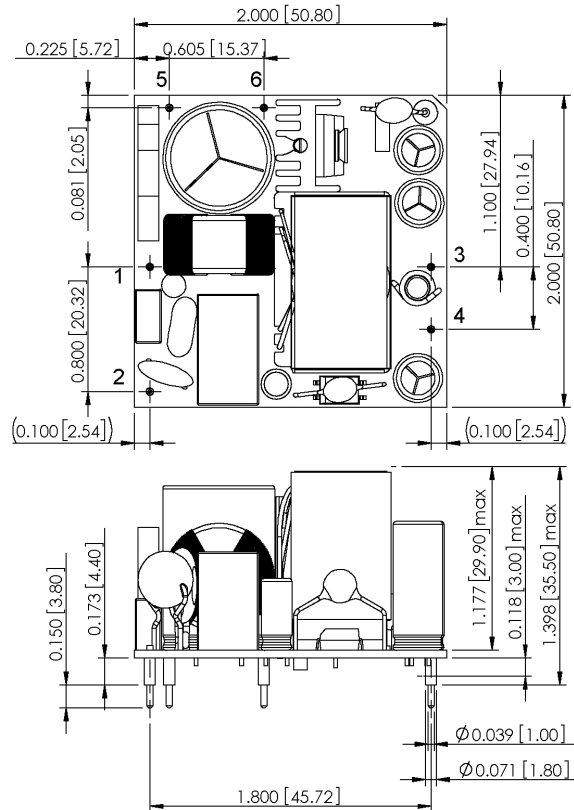
MECHANICAL

parameter	conditions/description	min	typ	max	units
dimensions	2.00 x 2.00 x 1.346 (50.80 x 50.80 x 34.20 mm)				inch
weight			93		g

MECHANICAL DRAWING

units: inch [mm]
tolerance: ±0.020[±0.50]

PIN CONNECTIONS		
PIN	Function	
	Standard	Power Boost
1	AC (L)	AC (L)
2	AC (N)	AC (N)
3	+Vo	+Vo
4	-Vo	-Vo
5	No Connect	BC+
6	No Connect	BC-

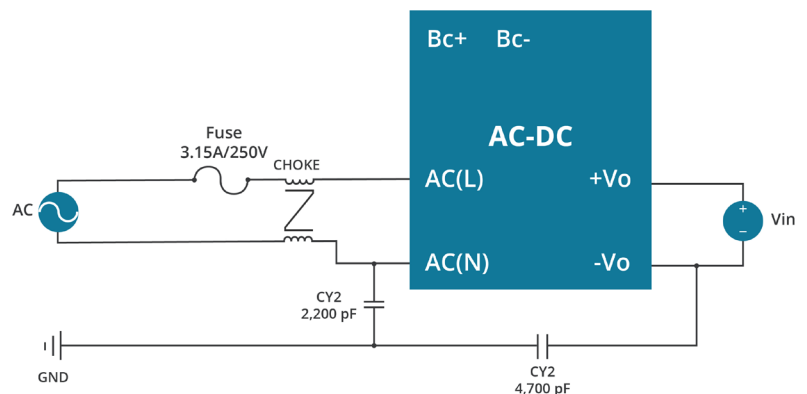


EMC RECOMMENDATIONS

When used in a Class I system implementation (utilizing an Earth Ground connection as depicted in the schematic below), the VOF-S60B series requires additional inductance and Y-Caps to meet EN55032 Class B. These additional components are not required in a Class II implementation where no Earth Ground is present.

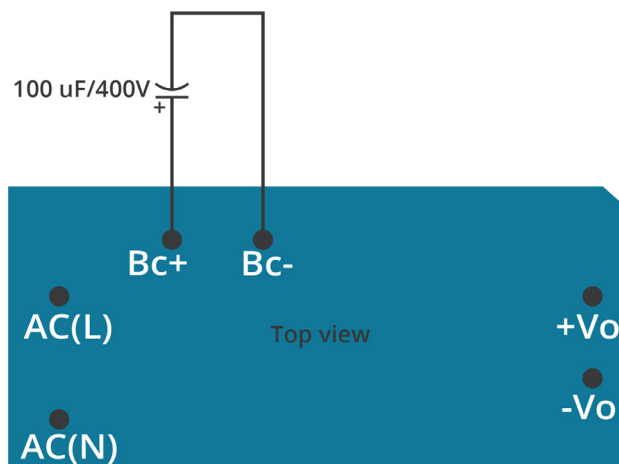
CHOKE			
Specification	Inductance	Duplex Winding/Turns	Manufacturers
T10*6*5C A15	2.6 mH	TIW-M Φ 0.35*2/25T	ACME
T10*6*5C R15K	2.6 mH	TIW-M Φ 0.35*2/25T	VAKOS

Y-CAP			
Subclass	Withstand Voltage	Capacitance	Manufacturers
Y2 CAP	250 V (min.)	2200 pF (typ.)	TDK
Y2 CAP	250 V (min.)	4700 pF (typ.)	TDK



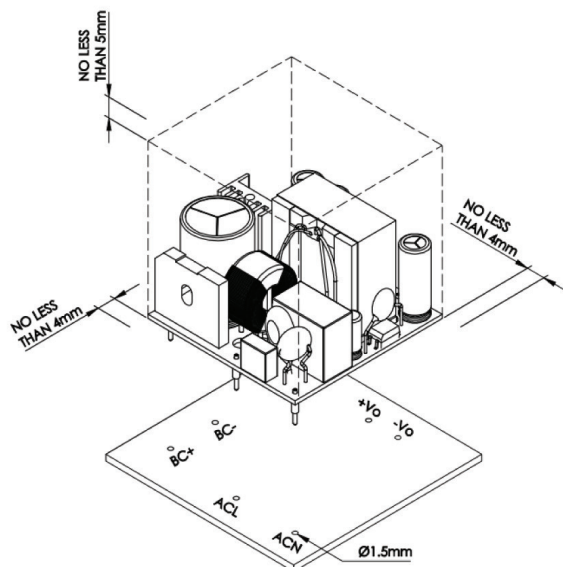
POWER BOOST

The VOF-S60B Series has an ordering option called Power Boost ("-PB" suffix), which can double the rated output power provided to the load for a maximum of 10 seconds and repeated duty cycle of 10%. This functionality requires a 100 μ F / 400 V capacitor to be connected between the BC+ and BC- pins as depicted in the schematic below. This external capacitor is not required if the VOF-S60B is operating from 230 Vac mains. When utilizing the Power Boost Feature, care must be taken not to thermally overstress the unit. The combined load (nominal plus peak) should not exceed 65% of the full load rating when averaged out over time.



INSTALLATION INSTRUCTIONS

The mounting holes should all be 1.5 mm in diameter. A minimum of 4 mm clearance is required for all four sides of the unit and a minimum of 5 mm clearance is required above the top surface of the unit.



REVISION HISTORY

rev.	description	date
1.0	initial release	02/12/2020
1.01	updates to mechanical & power boost sections	04/08/2020
1.02	updated mechanical drawing	05/15/2020
1.03	circuit figures and derating curves updated	04/28/2021
1.04	mechanical drawing updated	06/04/2021
1.05	safety marks updated	03/07/2023

The revision history provided is for informational purposes only and is believed to be accurate.



Headquarters
20050 SW 112th Ave.
Tualatin, OR 97062
800.275.4899

Fax 503.612.2383
cuicom
techsupport@cuicom

CUI offers a two (2) year limited warranty. Complete warranty information is listed on our website.

CUI reserves the right to make changes to the product at any time without notice. Information provided by CUI is believed to be accurate and reliable. However, no responsibility is assumed by CUI for its use, nor for any infringements of patents or other rights of third parties which may result from its use.

CUI products are not authorized or warranted for use as critical components in equipment that requires an extremely high level of reliability. A critical component is any component of a life support device or system whose failure to perform can be reasonably expected to cause the failure of the life support device or system, or to affect its safety or effectiveness.